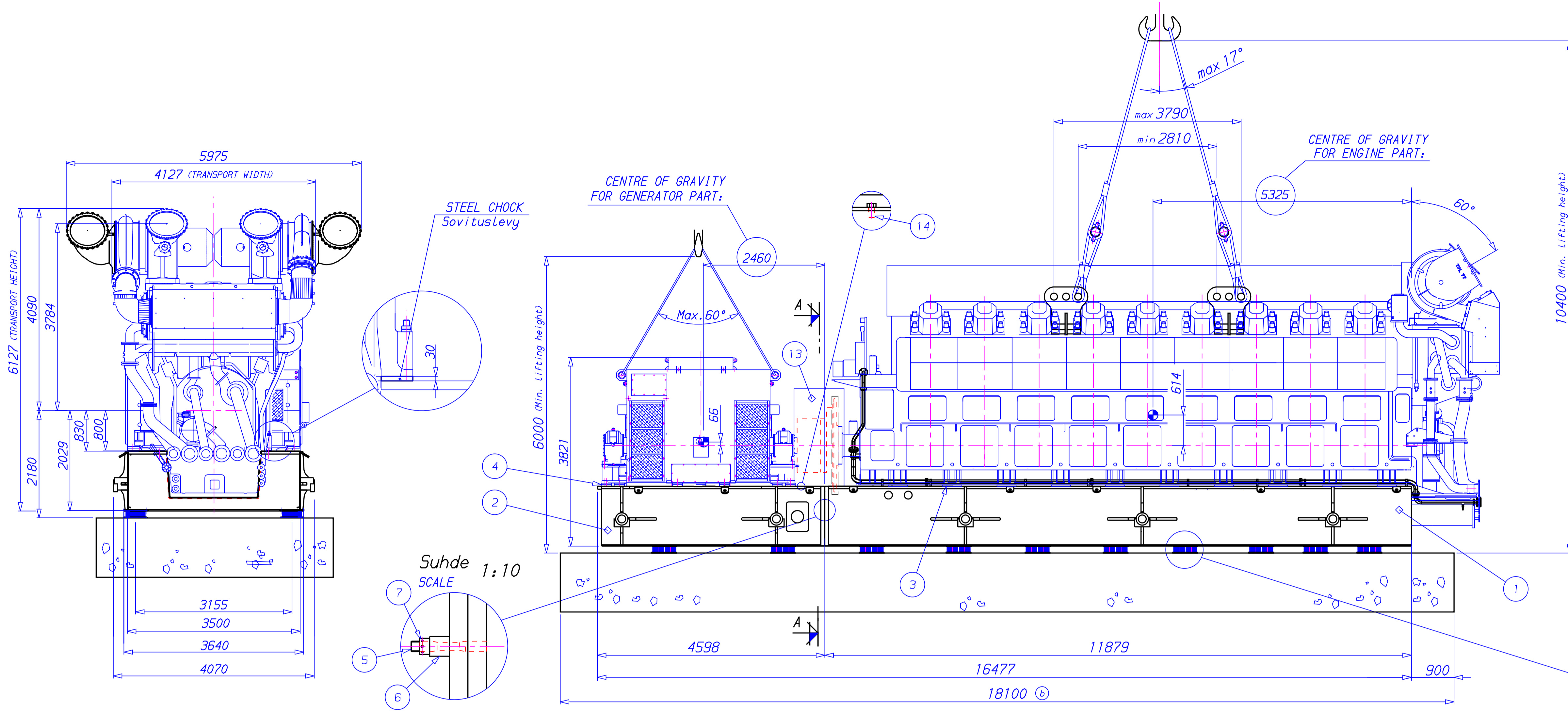


RELAZIONE TECNICA-ALL. N.2-

TIPOLOGIA RECINZIONI	
	MURETTO CON PANNELLI PREFABBRICATI
	MURETTO E CANCELLATA
	RETE ROMBOIDALE
	PALETTI FISSI

LEGENDA MANUFATTI	
	EDIFICI
	TETTOIE BARACCATE
	PENSILINE

REV.	DATA	CONTROLLATO	DESCRIZIONE	ESL. CONTIN. APPR.
0				
PROGETTO: STABILIMENTO DI ACERRA INQUADRAMENTO GENERALE CENTRALE ED IMPIANTI ASSERVITI				FRIEL ACERRA DISEGNO N°
DATA	SCHEMATO DA	SCHEMATO E.	CLASSIFICAZIONE	NOME FILE:



WEIGHT OF ENGINE PART:

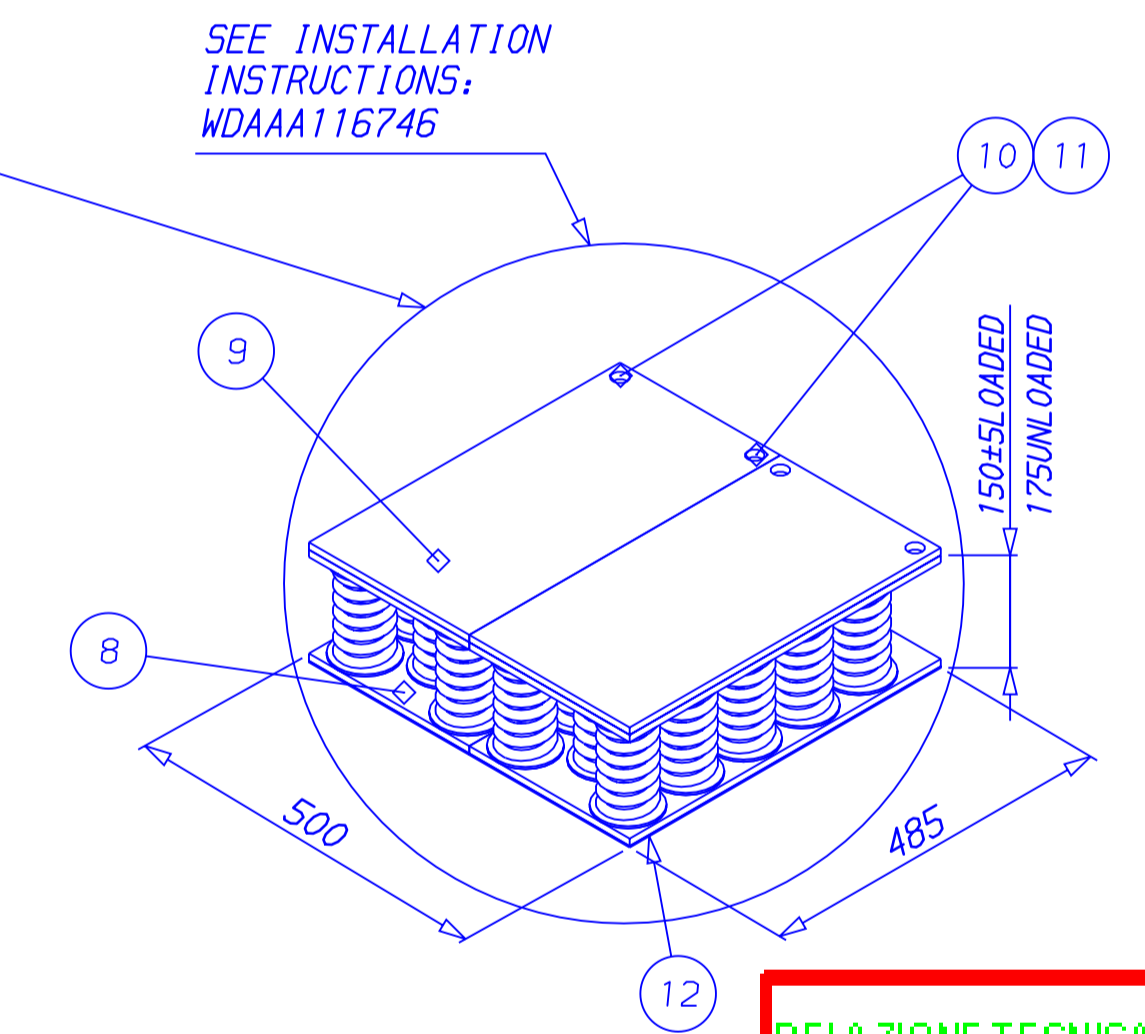
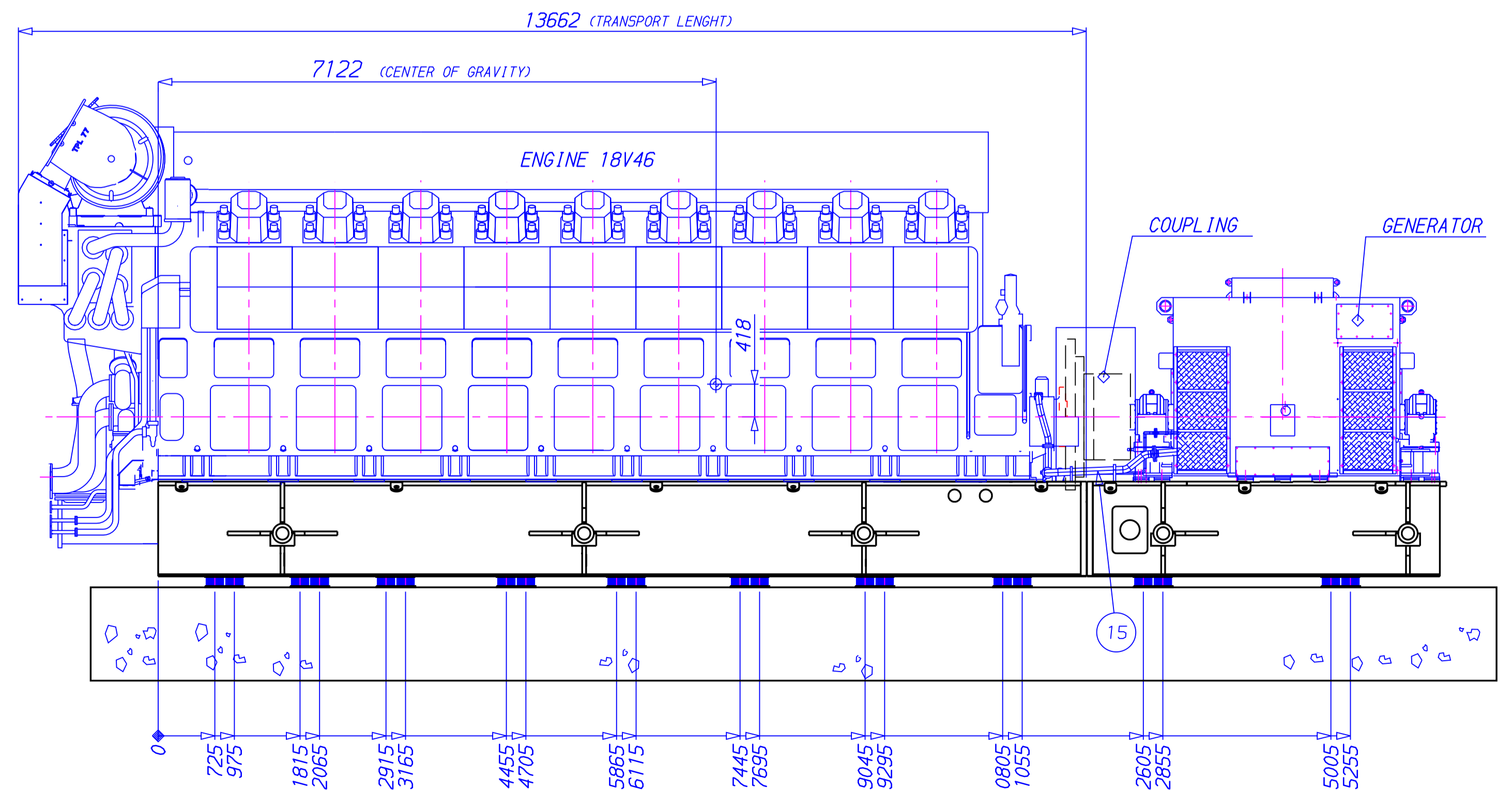
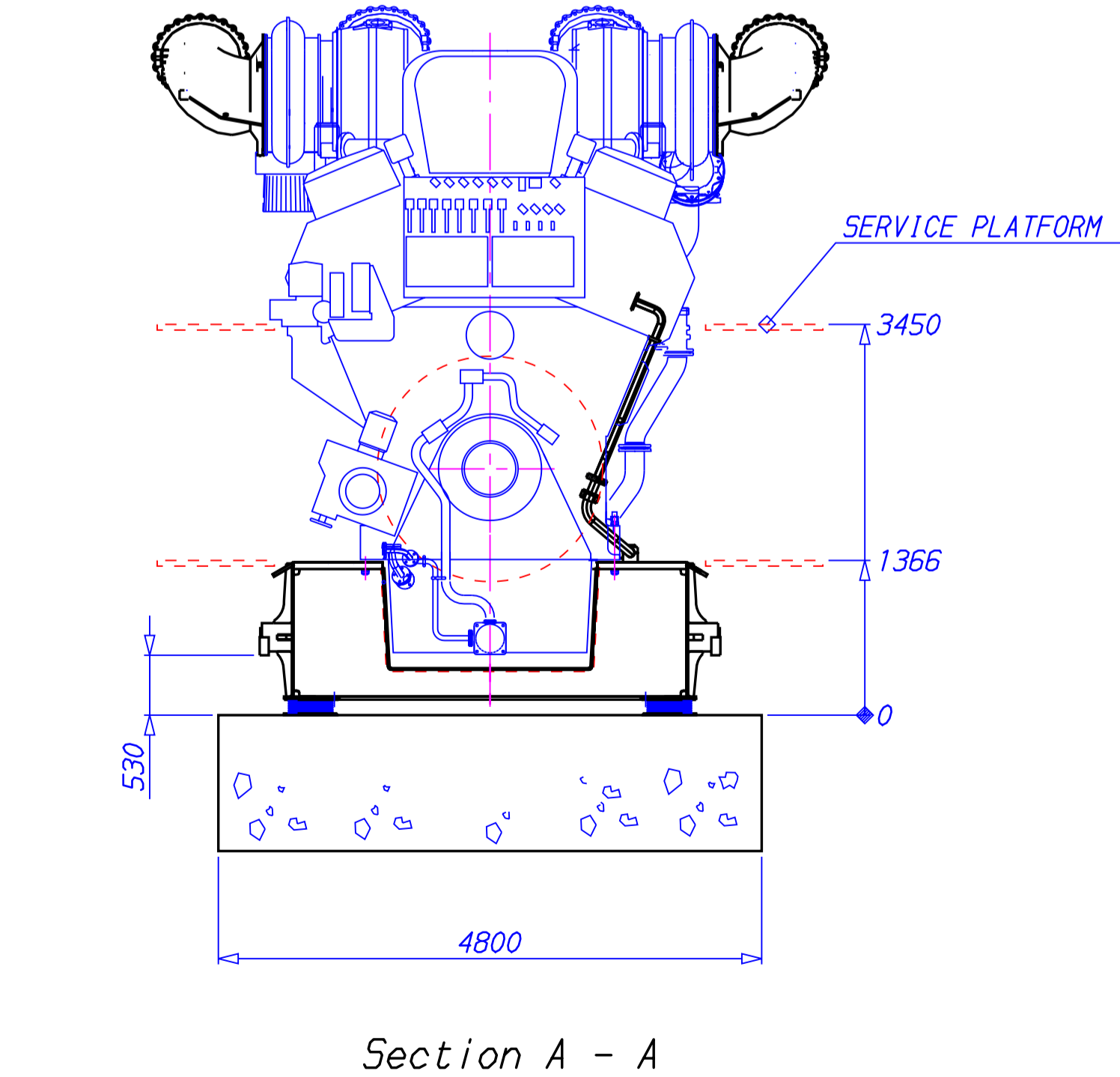
ENGINE (DRY)	243000 kg
ENGINE BASE FRAME	30200 kg
FLYWHEEL	1300 kg
LIFTING TOOLS	2500 kg
TRANSPORT WEIGHT OF THE ENGINE PART	277000 kg

WEIGHT OF GENERATOR PART:

GENERATOR	56000 kg
GENERATOR BASE FRAME	13900 kg
EQUIPMENTS	200 kg
COUPLING HUB	1470 kg
TRANSPORT WEIGHT OF THE GENERATOR PART	71600 kg

INSTALLATION WEIGHT:

ENGINE PART	274500 kg
GENERATOR PART	71600 kg
COUPLING	3656 kg
OIL & WATER	12000 kg
FLYWHEEL COVER	370 kg
EQUIPMENTS	400 kg
TOTAL WEIGHT (WET)	362500 kg



RELAZIONE TECNICA-ALLEGATO N.3

QTY	ITEM NO.	MATERIAL CODE	PART OR MATERIAL	UNIT	QTY	DESCRIPTION	UNIT	QTY	DESCRIPTION	UNIT	QTY	DESCRIPTION
1	15	4660E000300	GENERAATTORIN VOITTELÖLYPUTKET	-	1V60L1054	-	-	-	-	-	-	-
24	14	0048A0010	ALUSLÄÄTTÄ 21	-	DIN125	-	-	-	-	-	-	-
1	13	0048C073400	VAUKIT PYÖRRÄN SUOJUS	-	1V48C0734	-	-	-	-	-	-	-
40	12	003330045	FLYWHEEL COVER	-	4V46H0421	-	-	-	-	-	-	-
80	11	004580002	NITRILI KUMILEVY 2MM	-	4V46H0421	-	-	-	-	-	-	-
80	10	004210136	NITR. RUBBER SHEET 2MM	-	DIN985	-	-	-	-	-	-	-
80	10	004210136	KUUSIOMUTTERI	M20	DIN931	-	-	-	-	-	-	-
120	9	0046H042700	HEXAGON NUT	M20x80	DIN931	-	-	-	-	-	-	-
40	8	005380600	KUUSIORUUVI	M20x80	DIN931	-	-	-	-	-	-	-
40	8	005380600	HEXAGON SCREW	M20x80	DIN931	-	-	-	-	-	-	-
120	9	0046H042700	SAATOLEVY	-	4V46H0427	-	-	-	-	-	-	-
40	8	005380600	JOUSTELEMENTI	-	4V46H0421	-	-	-	-	-	-	-
51	7	0031B009100	SPRING ELEMENT	-	4V31B0091	-	-	-	-	-	-	-
51	6	0031C060000	PYÖRÄ MUTTERI	M42	4V31C0600	-	-	-	-	-	-	-
51	6	0031C060000	ROUND NUT	100/45	4V31C0600	-	-	-	-	-	-	-
51	5	0031A064700	VAARNARUUVI	M42	4V31A0647	-	-	-	-	-	-	-
1	4	4646A002500	STUJ	-	-	-	-	-	-	-	-	-
1	3	4646A001800	GENERAATTORIN KIINNITYS- FIXING BOLTS FOR GEN.	-	-	-	-	-	-	-	-	-
1	2	4646A001700	MOOTTORIN KIINNITYSRUUVI FIXING BOLTS FOR ENGINE	-	-	-	-	-	-	-	-	-
1	2	4646A001800	GENERAATTORIN ALUSTA	-	1V46A6752	-	-	-	-	-	-	-
1	1	4646A001900	MOOTTORIN ALUSTA	-	0V46A6761	-	-	-	-	-	-	-

WÄRTSILÄ Finland Oy Power Plants

EG-SET
ABB TPL 77
ABB AMG 1700

PRODUCT **18V46** MED UNITS mm kg

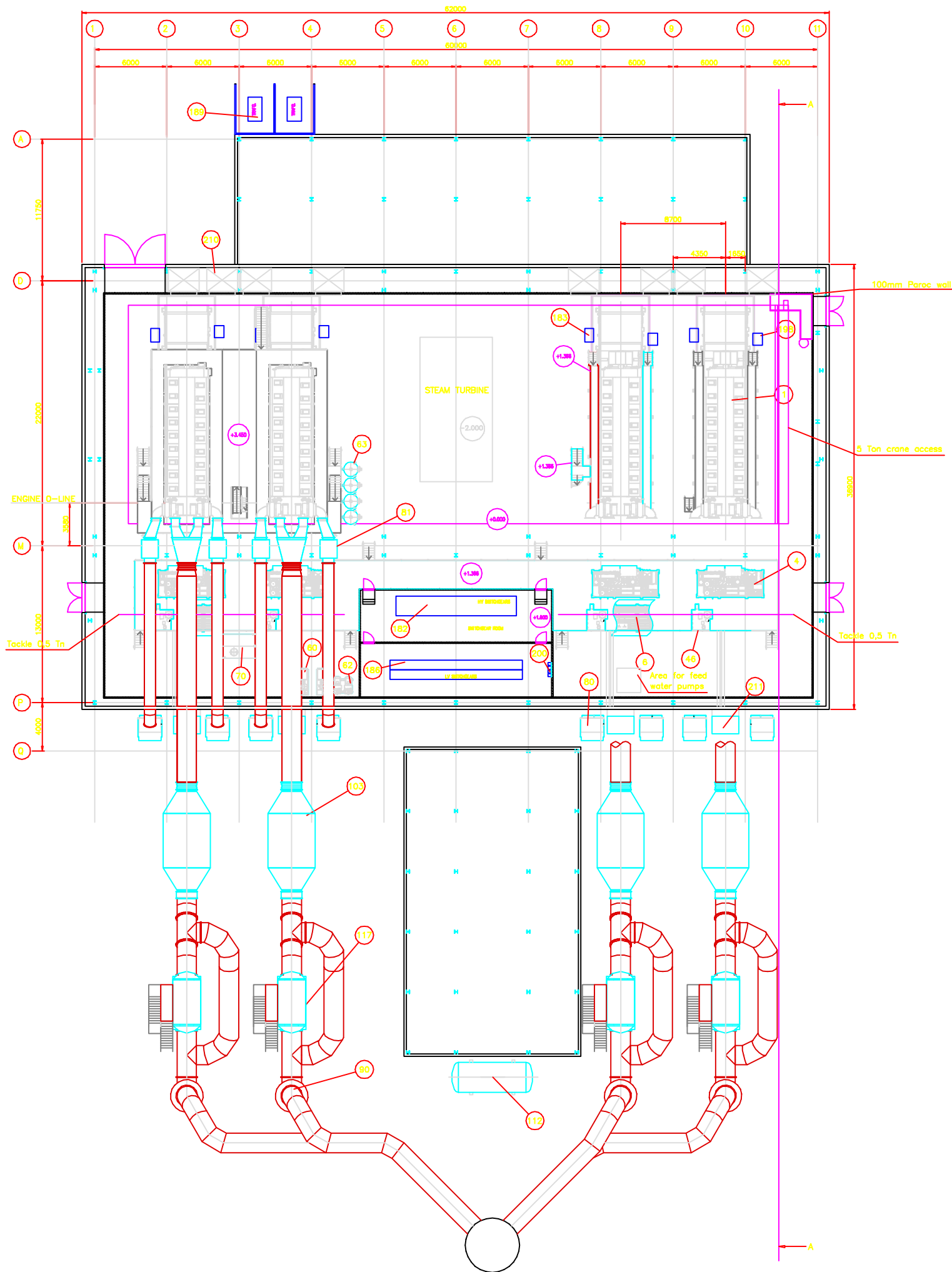
MADE 18 12 2000 JAKL/Keski-Luopa ASLY.DWG

CHKD 18 12 2000 HPh/Pulkkinen SCALE

APPD 18 12 2000 Tri/Rintamäki 1:50

1V58A2497

REV.	DATE	MADE	APPROV.	MEMO NO.	EXPLANATION
b	08 04 2002	AORN	HPh	D39867	Dim. of foundation corrected
a	28 03 2001	AORN	HPh	D34979	Article number changed



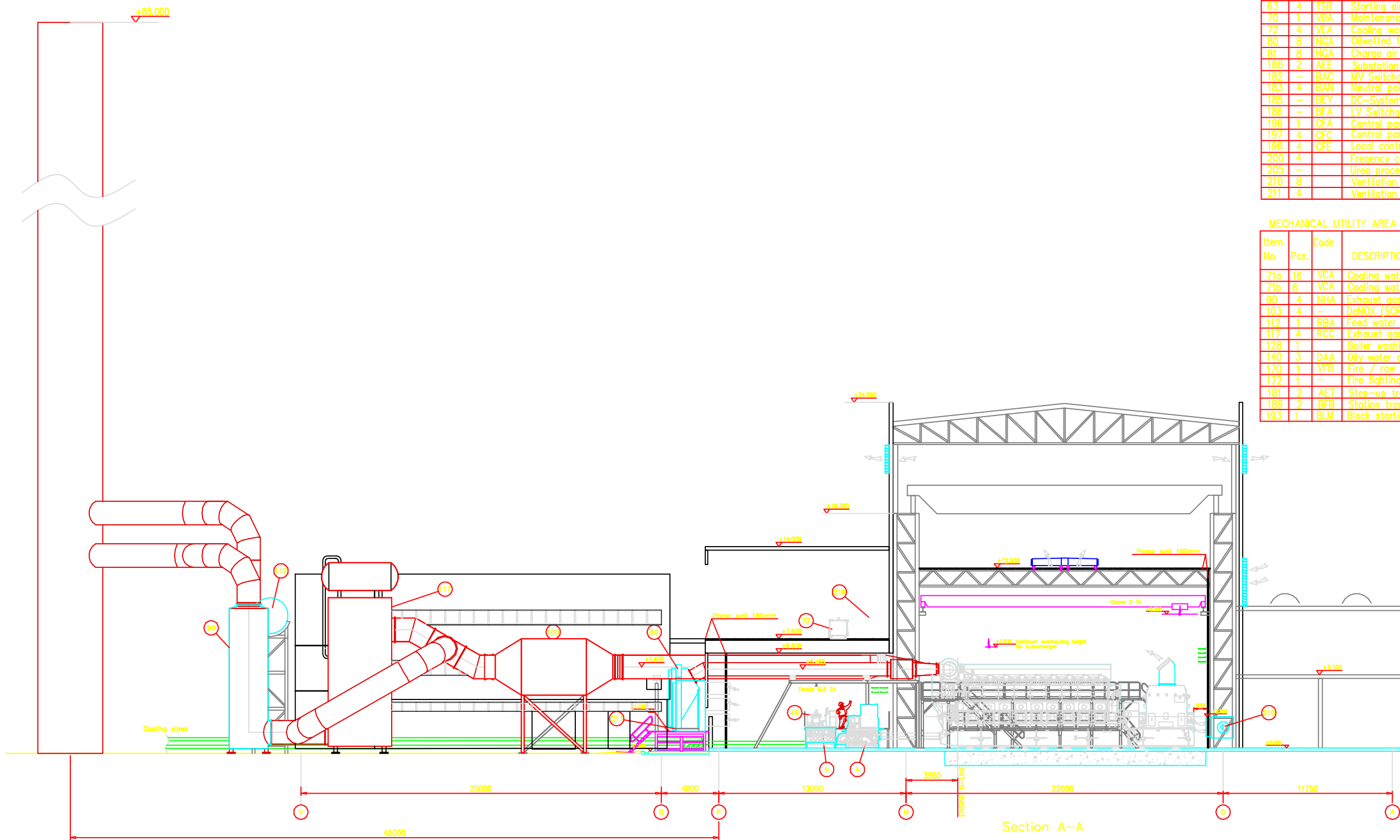
ENGINE HALL & UTILITY BLOCK

Item No	Pcs.	Code	DESCRIPTION	Volume m3	WEIGHT/kg Incl. liquids	MOUNTING LEVEL (Floor level)
1	4	SQA	Engine generator set		350000	+0.000
4	4	QEA	Auxiliary module incl. compact booster		10760	+0.000
6	4	MOD	Trunk route pipe rack		2500	+0.000
46	4	QBB	Lube oil separator unit		1520	+1.335
60	2	TCA	Working air unit		545	+0.000
62	1	TSA	Starting air unit		1700	+0.000
63	4	TSB	Starting air bottle	3	1500	+0.000
70	1	VBA	Maintenance water tank	10	11500	+0.000
72	4	VEA	Cooling water expansion vessel	1.2	1500	+7.600
80	8	NGA	Oilwetted filter		2114	+1.366
81	8	NGA	Charge air silencer		-	-
180	2	AEE	Substation control panel		-	-
182	-	BAC	MV Switchgear		-	+1.600
183	4	BAN	Neutral point cubicle		-	+0.000
185	-	BEY	DC-System		-	+1.600
186	-	BFA	LV Switchgear		-	+1.600
196	1	CFA	Control panel, common		-	-
197	4	CFC	Control panel engine wise		-	-
198	4	GFE	Local control panel		-	+0.000
200	4		Frequency converter		-	+1.600
205	-		Urea process control panel		-	-
210	8		Ventilation unit (enginehall)		-	-
211	4		Ventilation unit (aux. area)		2100	+1.166

MECHANICAL UTILITY AREA

Item No	Pcs.	Code	DESCRIPTION	Volume m3	WEIGHT/kg Incl. liquids	MOUNTING LEVEL (Floor level)
71a	16	VCA	Cooling water radiator (4kW)		6000	+4.000
71b	6	VCA	Cooling water tower		-	-
90	4	NHA	Exhaust gas silencer		8910	-
103	4	-	DeNOX (SCR)		-	-
112	1	RBA	Feed water tank		-	-
117	4	RCC	Exhaust gas boiler		19200	+0.000
128	1		Boiler washing water tank	10	-	-
140	3	DAA	Oily water collecting sump	2.5	-	-
170	1	VFB	Fire / raw water tank	240/60	316000	-
172	1	-	Fire fighting container		-	-
181	2	AET	Step-up transformer		-	-
189	2	BFB	Station transformer		-	-
193	1	BLM	Black starting unit		5500	+0.000

RELAZIONE TECNICA -ALLEGATO N. 4-



ENGINE HALL & UTILITY BLOCK

Item No	Pcs.	Code	DESCRIPTION	Volume m3	WEIGHT/kg Incl. liquids	MOUNTING LEVEL (Floor level)
1	4	SQA	Engine generator set		350000	+0.000
4	4	QFA	Auxiliary module incl. compact booster		10760	+0.000
6	4	MOD	Trunk route pipe rack		2500	+0.000
46	4	QBB	Lube oil separator unit		1520	+1.335
60	2	TCA	Working air unit		545	+0.000
62	1	TSA	Starting air unit		1700	+0.000
63	4	TSB	Starting air bottle	3	1500	+0.000
70	1	VBA	Maintenance water tank	10	11500	+0.000
72	4	VEA	Cooling water expansion vessel	1.2	1500	+7.600
80	8	NGA	Oilwetted filter		2114	+1.366
81	8	NGA	Charge air silencer		-	-
180	2	AEE	Substation control panel		-	-
182	-	BAC	MV Switchgear		-	+1.600
183	4	BAN	Neutral point cubicle		-	+0.000
185	-	BEY	DC-System		-	+1.600
186	-	BFA	LV Switchgear		-	+1.600
196	1	CFA	Control panel, common		-	-
197	4	CFC	Control panel engine wise		-	-
198	4	CFE	Local control panel		-	+0.000
200	4	-	Frequency converter		-	+1.600
205	-	-	Urea process control panel		-	-
210	8	-	Ventilation unit (enginehall)		-	-
211	4	-	Ventilation unit (aux. area)		2100	+1.166

MECHANICAL UTILITY AREA

Item No	Pcs.	Code	DESCRIPTION	Volume m3	WEIGHT/kg Incl. liquids	MOUNTING LEVEL (Floor level)
71a	16	VCA	Cooling water radiator (4kW)		6000	+4.000
71b	6	VCA	Cooling water tower		-	-
90	4	NHA	Exhaust gas silencer		8910	-
103	4	-	DeNOX (SCR)		-	-
112	1	RBA	Feed water tank		-	-
117	4	RCC	Exhaust gas boiler		19200	+0.000
128	1	-	Boiler washing water tank	10	-	-
140	3	DAA	Oily water collecting sump	2.5	-	-
170	1	VFB	Fire / raw water tank	240/60	316000	-
172	1	-	Fire fighting container		-	-
181	2	AET	Step-up transformer		-	-
189	2	BFB	Station transformer		-	-
193	1	BLM	Black starting unit		5500	+0.000